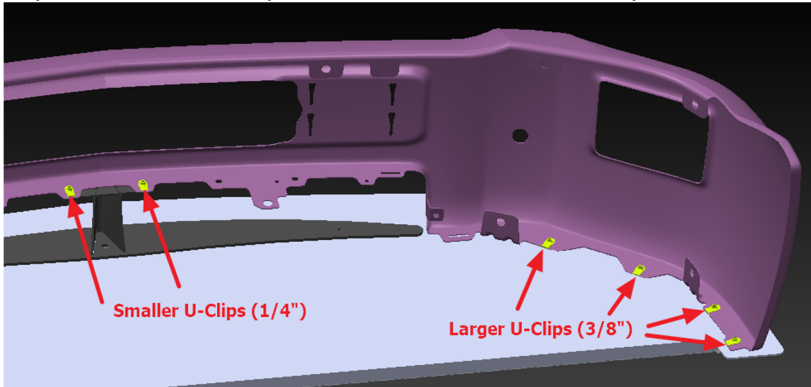


R1 SPLITTER 15'-19' SILVERADO HD CONVERSION

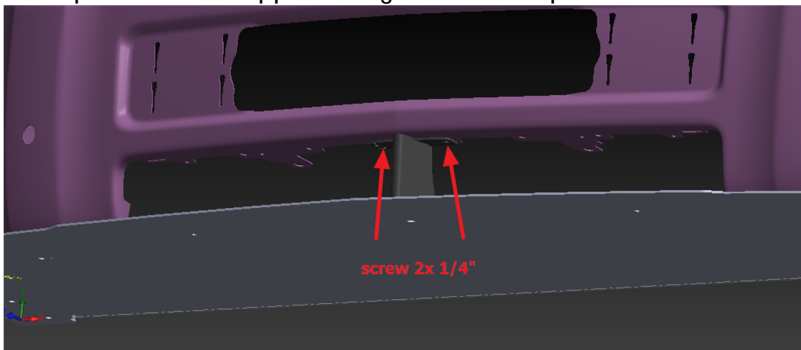
STEP 1

Replace all of the u-clips on both sides from the bumper with the ones provided as shown here



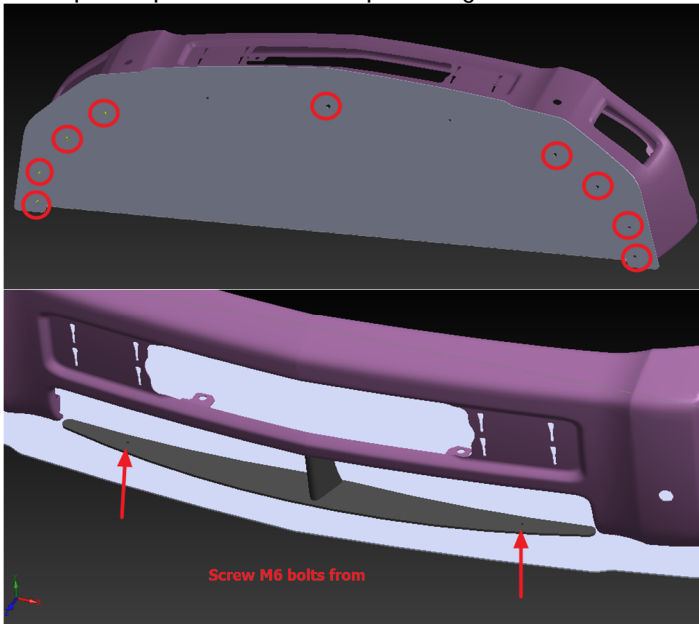
STEP 2

Bolt up the middle support using the 1/4" bolts provided



STEP 3

Bolt up the splitter to the bumper using the 3/8" bolts and the 2x m6 screws as shown



STEP 4

Mock up the exterior support rods anywhere along the bumper where you think looks best. But do not put them any closer than 10" apart. Mark and drill the holes using a 1/4" Drill bit.