

INSTRUCTIONS FOR RC7 WING

What is in the Box:

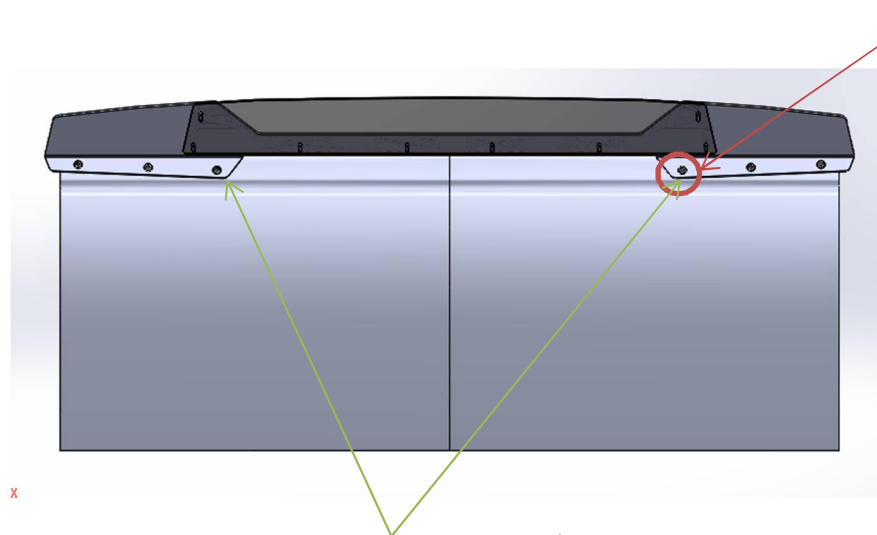
1. Wing
2. Lexan (if purchased)
3. 6x M6 Mounting Screws and Rivet Nuts
4. Lexan #6-40 Screws
5. Drill Bit

Tools Required:

- Drill
- Allen Key/Socket
- Second set of hands

Steps:

1. Have a second set of hand hold up the wing on to the tailgate, centered from left to right and the bottom corners of the bent flap should be on the edge of the tailgate's crease.



2. Mark and drill only the 2 inner holes. (Insure the marking is centered within the hole. also, do not allow the drill bit to "walk" as you start to drill. Use a Center punch)
3. Install those 2 rivet nuts and bolt up the wing. Now mark, drill and install the rest of the rivet nuts.
4. Bolt the wing back up and you are pretty much done!
5. If you do not feel comfortable with the wing touching your tailgate's paint, you may add some low-adhesive double sided tape on the back side of the wing as a cushion. However, this may cause the wing to have a gap between the tailgate and the backside.